

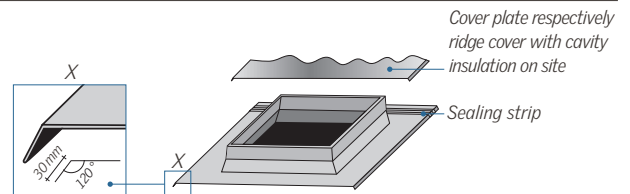
Steel aluminium integrated upstand with TRP-slanted sides

VELUX®
Commercial


For assembly on all profiled roof surfaces (single- or double-layer metal roofs and composite panels), corrugated profile roofs and standing seam systems

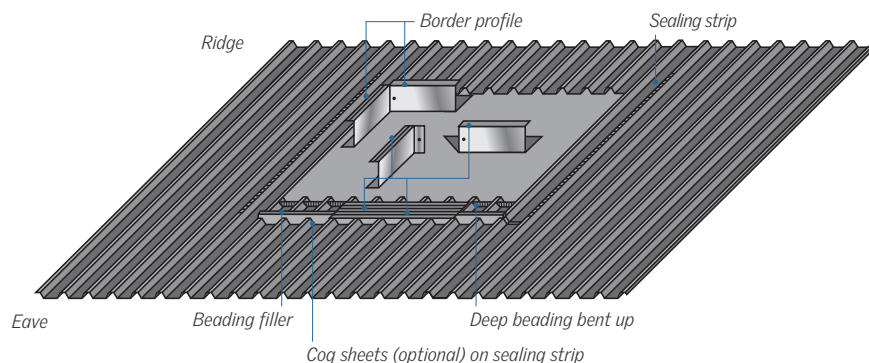
Steel aluminium integrated upstand with TRP-slanted sides

- inner shell made of galvanized steel sheet, coated in RAL 9002 (white) or another RAL colour of your choice
- outer shell made of watertight welded aluminium sheet, surface in untreated aluminium or coated in a RAL colour of your choice
- thermal shell separation due to separation layers in upper screw flange and foot flange
- non-flammable heat insulation in the soffit
- variable flange width can be adjusted to suit beading width
- upper and lower flange standard width: 300 mm; other sizes available on request



Application sample:

Steel and aluminium upstand with slanted sides in RAK geometry, assembled on profiled upper shell



Note: Products are supplied with the steel and aluminium upstands only. The IFBS and manufacturer installation guidelines must be observed.

1.1.1
TOP-90

1.1.2
TOP-90 PLUS

1.1.3
TOP-90
sound reduction

Order sizes	AK 30 cm	RAK 30 cm ¹
cm x cm	with 60 mm heat insulation	with 30 mm heat insulation
90 x 90	•	•
90 x 120	•	•
100 x 100	•	•
100 x 150	•	•
100 x 200	•	•
100 x 240	•	•
100 x 250	•	•
100 x 300	•	-
120 x 120	•	•
120 x 150	•	•
120 x 180	•	•
120 x 210	•	•
120 x 240	•	•
120 x 250	•	•
120 x 270	•	-
125 x 250	•	•
150 x 150	•	•
150 x 180	•	•
150 x 210	•	•
150 x 240	•	•
150 x 250	•	•
150 x 270	•	-
180 x 180	•	•
180 x 240	•	•
180 x 250	•	•
180 x 270	•	-
180 x 300	•	-
200 x 200	•	•
200 x 300	•	-

• = available - = not available

Note:

1) Special design for highly effective smoke exhaust (SHEV)

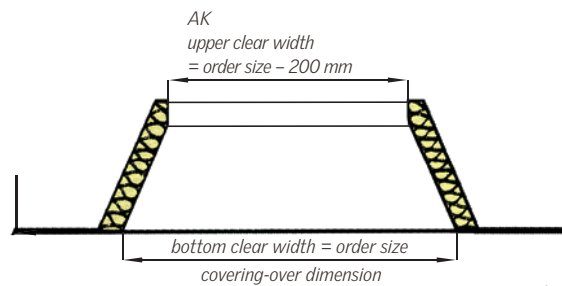
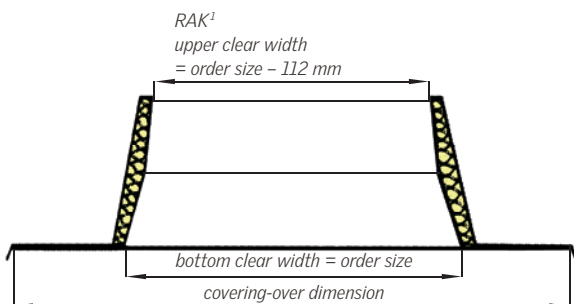
Minimum covering-over dimension

width: order size + 310 for AK

width: order size + 250 for RAK

Maximum covering-over dimension

width: order size + distance to the exterior edge of the next high beading + 10 mm tolerance



Note:

When ordering, the covering-over dimension and position of assembly will be required.