

# JET dome rooflight accessories insect protection

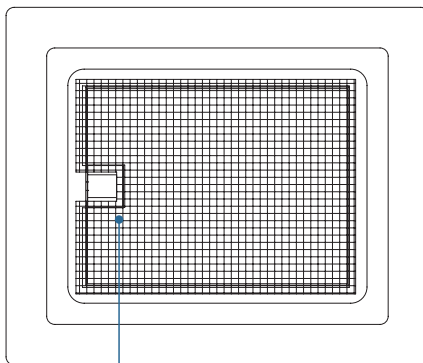
**VELUX®**
**Commercial**


## JET dome rooflight insect protection systems

### Insect protection for standard use areas

#### Horizontal insect screen system for standard dome rooflights which can be opened

- frame is mounted horizontally on the upper side of the upstand
- recess for motor spindle protected with brush sealing
- simple release and fastening using Velcro

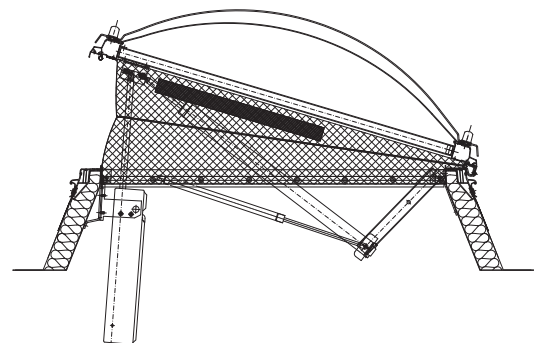


*Brush recess for motor spindle*

### Insect protection for SHEV system and special hygiene requirements

#### Vertical insect screen system for SHEV and higher hygiene requirements

- stand-alone forced separation from the upstand with SHEV activation
- Suitable for use with JET SHEV system in accordance with EN 12101-2
- available for ventilation strokes of 300 or 500 mm for combination units
- no accumulation of, or later contamination with, insect fragments
- patent pending



1.1.1  
JET TOP-90

1.1.2  
JET TOP-90  
PLUS

3.4.2  
JET SKYSIGHT

3.5.2  
JET TOP-90  
comfort/comfort-S

6.1.1  
JET SHEV systems

## JET dome rooflight insect protection systems

- mesh material made from polyvinylidene chloride (PVDC), resistant to weather and many fruit acids
- mesh width: < 1 mm

### Horizontal insect protection system

#### Product advantages

- easy protection against insects and coarse contamination with daily ventilation
- for ventable JET dome rooflights, JET aluminium darkening flaps and JET VARIO light flaps
- can be retrofit onto third-party on request

#### Areas of application

- office buildings, administration buildings, communal buildings and residential buildings

Dome rooflight order sizes (cm)		
50 x100	120 x 120	180 x 180
50 x150	120 x 150	180 x 240
60 x 60	120 x 180	180 x 250
60 x 90	120 x 240	200 x 200
70 x135	125 x 250	200 x 300
80 x 80	135 x 230	
90 x 90	150 x 150	
90 x120	150 x 180	
100 x100	150 x 210	
100 x150	150 x 240	
100 x200	150 x 250	
100 x240		
100 x250		

### Vertical insect protection system

#### Product advantages

- no effect on the aerodynamic ventilation area ( $A_a$  value)
- effective protection against insects and coarse contamination with daily ventilation
- available for retrofitting or as a replacement set
- used in operations in the catering trade and food industry, such as bakeries, fruit processing and drink filling

#### Areas of application

- JET SHEV systems which can be opened

SHEV system dome rooflight order sizes (cm)	
100 x100	150 x150
100 x150	150 x180
100 x200	150 x180
100 x240	150 x 210
100 x250	150 x 240
120 x120	150 x 250
120 x150	180 x 180
120 x180	180 x 240
120 x240	180 x 250
120 x250	200 x 200
125 x125	200 x 300
125 x250	