

# GRILLODUR® pitched rooflights

**VELUX®**
**Commercial**


## GRILLODUR® pult, saddle and shed rooflights

### GRILLODUR® pitched rooflights

- self-supporting span distance up to 6m (larger spans on request)
- flexible design thanks to different standard colours
- homogeneous room illumination due to glare- and shadow-free light
- low tare weight (10 kg/m<sup>2</sup>)
- ideal for roof-refurbishment projects
- U-value glazing up to 0.8 W/m<sup>2</sup>K
- total energy transmission up to 21%
- sound insulation: R<sub>w</sub> up to 36 dB
- permanent fall through proof according to GS-BAU-18
- highest chemical resistance
- shatter-resistance test according to ASTM D 3841-82, point 7.10
- integrated smoke and heat exhaust approved according to DIN EN 12101-2

GRILLODUR® pitched rooflights can be designed as pult, saddle and shed rooflights with different angles of inclination.

The self-supporting constructions consist of an aluminium grid frame system to which semi-transparent fibreglass sheets are applied on both sides.

Due to its low weight of approximate 10 kg/m<sup>2</sup>, GRILLODUR® is excellently suited for roof renovations without additional static load on the substructure.

Due to the different structure of the fibreglass GRILLODUR® meets the highest demands with regard to heat, sun, sound and fire protection and convinces with glare-free daylight, excellent mechanical and high chemical resistance. GRILLODUR® is therefore ideally suited for industrial and commercial buildings, as well as for administrative and municipal applications.



GRILLODUR®  
pult rooflights

## Technical data GRILLODUR® pitched rooflight

Angle of slope	a	30°		45°	
Nominal width	Bmm	1,700–2,900	> 2,900–5,400	1,700–2,700	> 2,700–4,700 <sup>1</sup>
Thickness of element	Dmm	40 and 70	70	40 and 70	70
Norm element dimension between axes	E mm	2,000			
Gable element thickness	Kmm	40 and 70			
Profile design		closed profiles/open profiles			

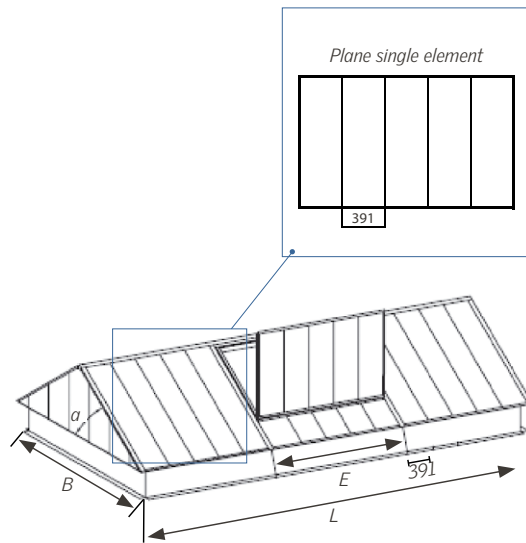
**Note:**

1) Bigger clear widths and other geometries available upon request.

The GRILLODUR® elements are manufactured plane from aluminium rectangular tubes on a 391 mm grid. The single element has a width of up to 2,000 mm. A grating with narrower core profiles can be manufactured if desired for aesthetic reasons. Please consult with our technical department for implementation.



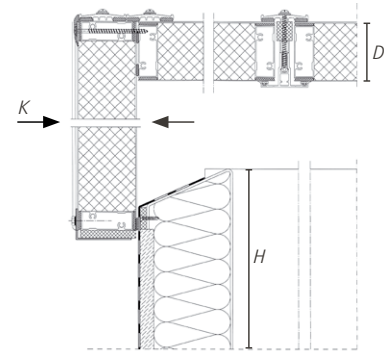
GRILLODUR® shed rooflight



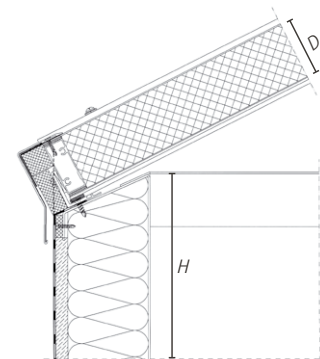
Inclusion horizontal profile upon request

Schematic diagram GRILLODUR® saddle rooflight

- a Roof angle
- B Nominal width
- D Thickness of element
- E Norm element dimension between axes
- H Steel upstand height
- K Gable element thickness
- L Nominal length



Gable connection with steel upstand



Connection on long side steel upstand